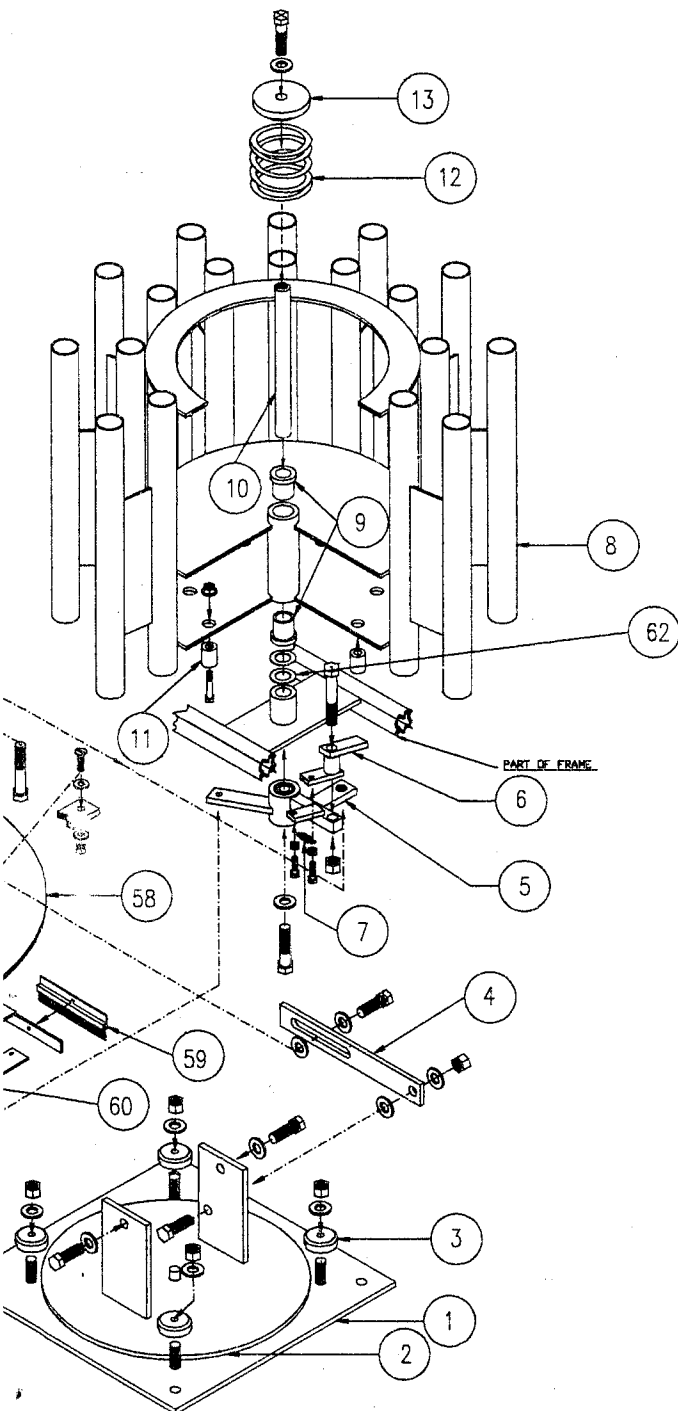


Sporter Model

Notice of Proprietary Property:

The information contained herein is the property of Parker/BOSS, Inc.

- The possessor agrees to the following:
 (i) to maintain this document in confidence.
 (ii) Not to reproduce or copy it.
 (iii) Not to reveal or publish it in whole or part.



1	BASE PLATE
2	SWIVEL BASE PLATE
3	PLATE-HOLD DOWN WASHERS - 4 REQUIRED
4	HEIGHT ADJUSTER STRAP
5	INDEXING LEVER WELDMENT
6	INDEXING ZEE PIECE
7	INDEXING LEVER SPRING
8	MAGAZINE
9	MAGAZINE BUSHINGS - 2 REQUIRED
10	MAGAZINE SHAFT
11	MAGAZINE INDEXING BUSHINGS - 12 REQUIRED
12	MAGAZINE PRESSURE SPRING
13	MAGAZINE PRESSURE SPRING BUSHING
14	THROW PLATE
15	PINCHROL SPRING BUSHING-- 2 REQUIRED
16	PINCHROLLER SPRING
17	PINCHROLLER WELDMENT
18	PINCHROLLERS-- 3 REQUIRED
19	PINCHROLLER NUTS --- 3 REQUIRED
20	SPLITTER WASHER
21	PINCHROLLER SHIMS --- 12 REQUIRED
22	PINCHROLLER BEARINGS --- 3 REQUIRED
23	GEARBOX WELDMENT
24	GEARBOX SHAFT
25	INDEXING ROD-LONG
26	LIMIT-SWITCH WELDMENT
27	ELECTRICAL-BOX CLIPS
28	MOTOR AND GEARBOX COVER
29	MOTOR AND GEARBOX COVER CLIPS
30	LIMIT-SWITCH
31	MOTOR AND GEARBOX COVER CLIPS
32	LIMIT-SWITCH PLATE
33	GEARBOX
34	MOTOR
35	INDEX LINKAGE WELDMENT
36	INDEX LINKAGE SPACERS -- 2 REQUIRED
37	INDEX LINKAGE --- SHORT
38	INDEX LINKAGE SPACERS -- 2 REQUIRED
39	GUIDE BAR - LIFT PLATE
40	RUBBER STOPS - LIFT PLATE -- 2 REQUIRED
41	LIFT PLATE
42	THROWING ARM SPACERS -- 2 REQUIRED
43	FRAME
44	THROWING ARM CRANK
45	THROWING ARM
46	LIFT PLATE HINGE-WELDMENT
47	HINGE LEVER-WELDMENT
48	HINGE LEVER SPRING SPACERS -- 2 REQUIRED
49	HINGE LEVER SPRING
50	LIFT PLATE LINKAGE - LONG
51	LIFT PLATE LINKAGE - SHORT
52	LIFT PLATE LINKAGE-WELDMENT
53	SPRAG WELDMENT BOLT
54	MAIN SPRING
55	MAIN SPRING BUSHING
56	MAIN SPRING SPRAG-WELDMENT
57	MAIN SPRING SPRAG
58	TURRET PLATE
59	TARGET BRUSH ASSEMBLY
60	TARGET STOP
61	ELECTRICAL BOX
62	SPRING BOLT CRANK
63	MAGAZINE SHIMS