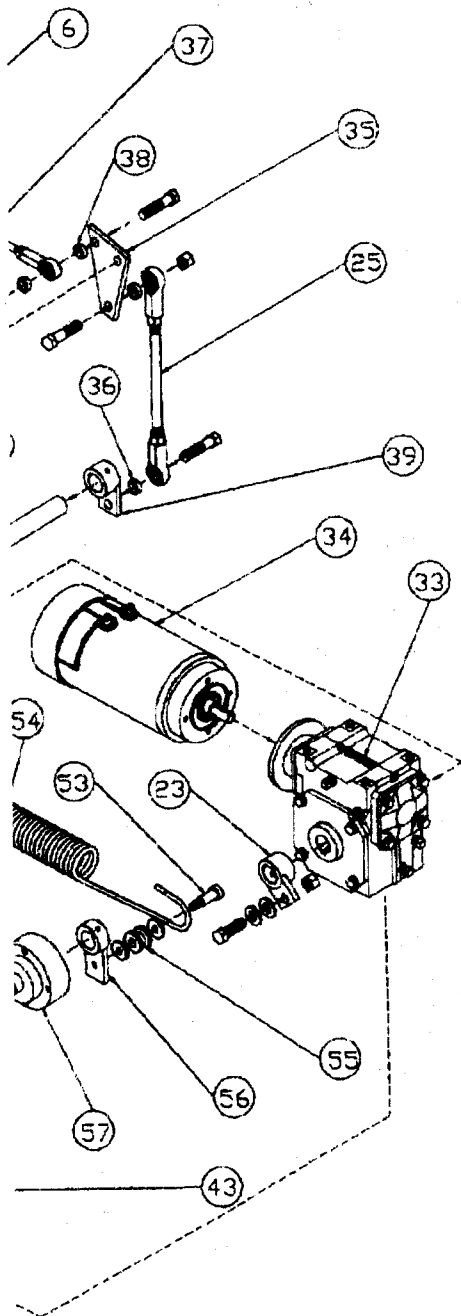


Single Rabbit Model



| | |
|----|---|
| 1 | SOLENOID |
| 2 | NO. 1 TARGET CHUTE |
| 3 | NO. 2 TARGET CHUTE |
| 4 | TARGET CHUTE SPACER |
| 5 | INDEXING LEVER WELDMENT |
| 6 | INDEXING ZEE PIECE |
| 7 | INDEXING LEVER SPRING |
| 8 | MAGAZINE |
| 9 | MAGAZINE BUSHINGS -- 2 REQUIRED |
| 10 | MAGAZINE SHAFT |
| 11 | MAGAZINE INDEXING BUSHINGS -- 12 REQUIRED |
| 12 | MAGAZINE PRESSURE SPRING |
| 13 | MAGAZINE PRESSURE SPRING BUSHING |
| 14 | TARGET RAMP |
| 15 | PINCHROL SPRING BUSHING-- 2 REQUIRED |
| 16 | PINCHROLLER SPRING |
| 17 | PINCHROLLER WELDMENT |
| 18 | PINCHROLLERS-- 2 REQUIRED |
| 19 | PINCHROLLER NUTS -- 2 REQUIRED |
| 20 | SPLITTER WASHER |
| 21 | PINCHROLLER SHIMS -- 8 REQUIRED |
| 22 | PINCHROLLER BEARINGS -- 2 REQUIRED |
| 23 | GEARBOX WELDMENT |
| 24 | GEARBOX SHAFT |
| 25 | INDEXING ROD-LONG |
| 26 | BRASS BUSHING |
| 27 | STEEL BUSHING |
| 28 | LIMIT-SWITCH PLATE |
| 29 | SOLENOID LINK |
| 30 | LIMIT-SWITCH |
| 31 | SHOULDER BOLT |
| 32 | LIMIT-SWITCH BRACKET |
| 33 | GEARBOX |
| 34 | MOTOR |
| 35 | LINKAGE PLATE |
| 36 | INDEX LINKAGE SPACERS -- 2 REQUIRED |
| 37 | INDEX LINKAGE -- SHORT |
| 38 | INDEX LINKAGE SPACERS -- 2 REQUIRED |
| 39 | GEARBOX WELDMENT |
| 40 | RELEASE ARM |
| 41 | ARM STOP |
| 42 | SHOULDER BOLT |
| 43 | FRAME |
| 44 | THROWING ARM CRANK |
| 45 | THROWING ARM |
| 46 | ROLLER BEARING |
| 47 | CHUTE RUBBER |
| 48 | CHUTE SPACER |
| 49 | SPRING |
| 50 | ROLLER |
| 51 | THROWING ARM RUBBER |
| 52 | TARGET-STOP |
| 53 | SPRAG WELDMENT BOLT |
| 54 | MAIN SPRING |
| 55 | MAIN SPRING BUSHING |
| 56 | MAIN SPRING SPRAG-WELDMENT |
| 57 | MAIN SPRING SPRAG |
| 58 | TURRET PLATE |
| 59 | BRACKET |
| 60 | SPRING PERCH |
| 61 | ELECTRICAL BOX |
| 62 | MAGAZINE SHIMS |

Notice of Proprietary Property:

The information contained herein is the property of Parker/BOSS, Inc.

- The possessor agrees to the following:
- to maintain this document in confidence.
 - Not to reproduce or copy it.
 - Not to reveal or publish it in whole or part.

