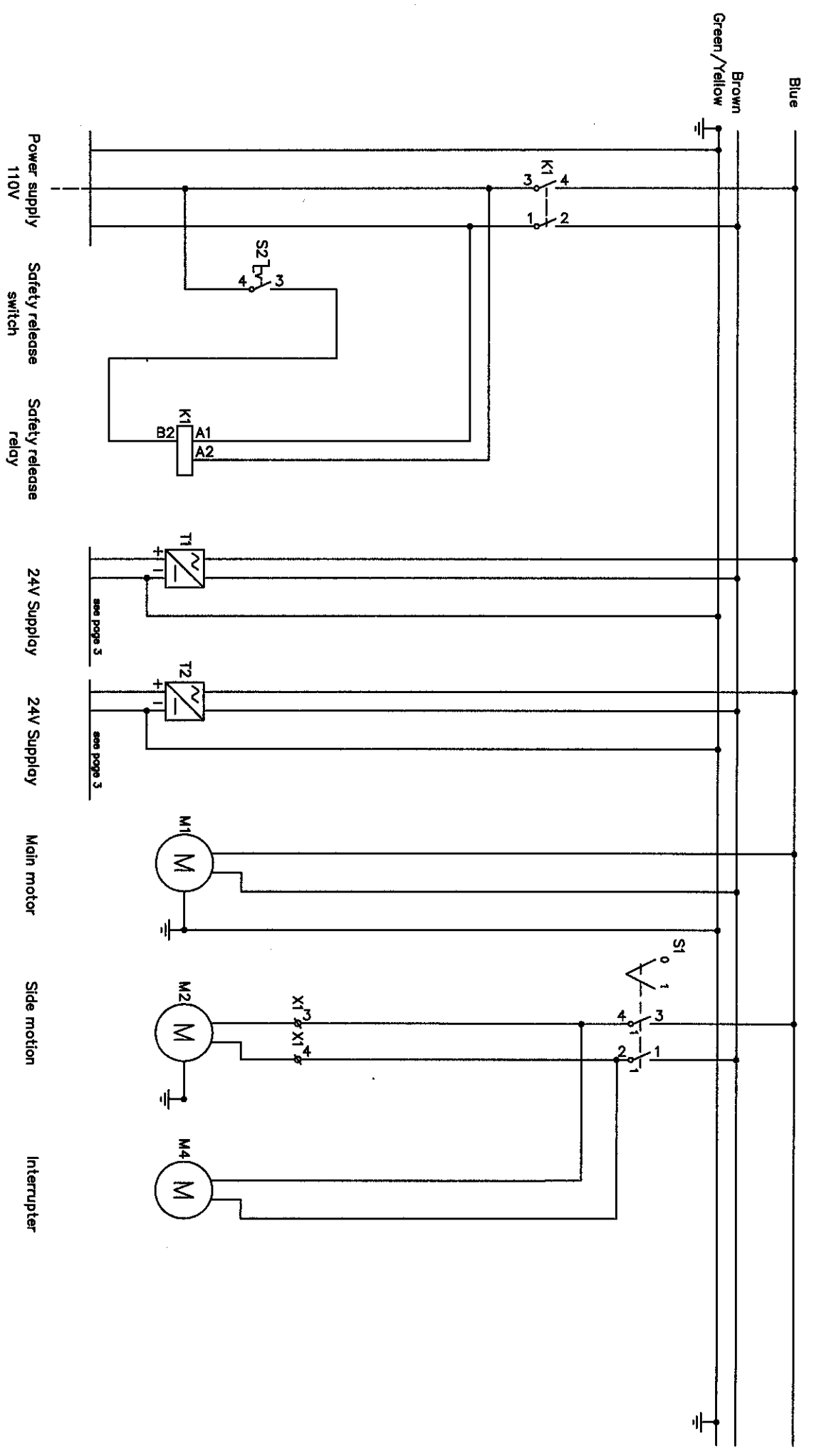
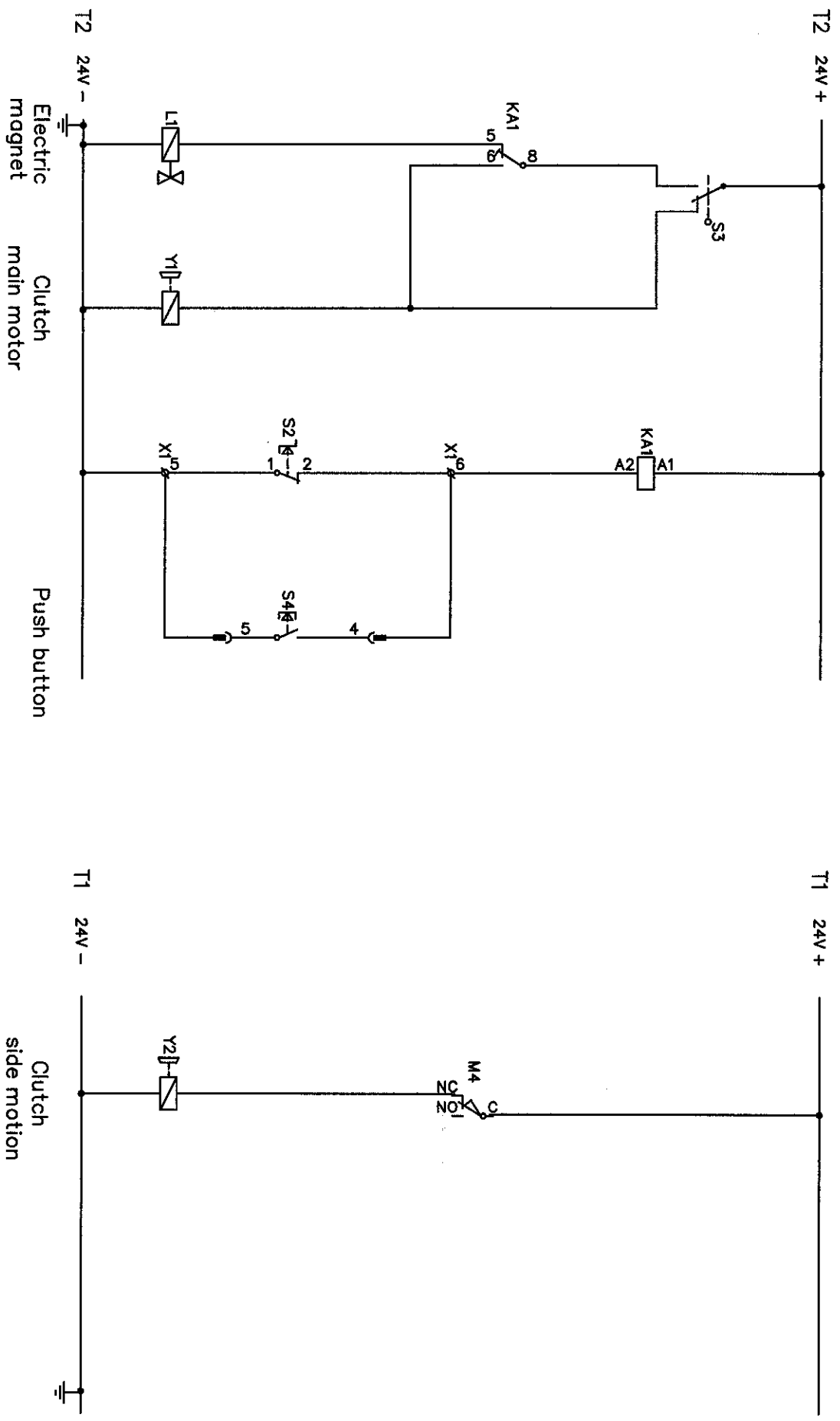


GMV SUPER STAR

GMV 274: 110

DRAWING	DATE
OVERVIEW	021120
TITLE	PAGE
GMV274-110-1	1 OF 6





<b>GMV SUPER STAR</b>		<b>GMV 274:110</b>	
		DRAWING 24V CIRCUITS	DATE 021120
REV GMV274-110_3		PAGE 3 OF 6	

